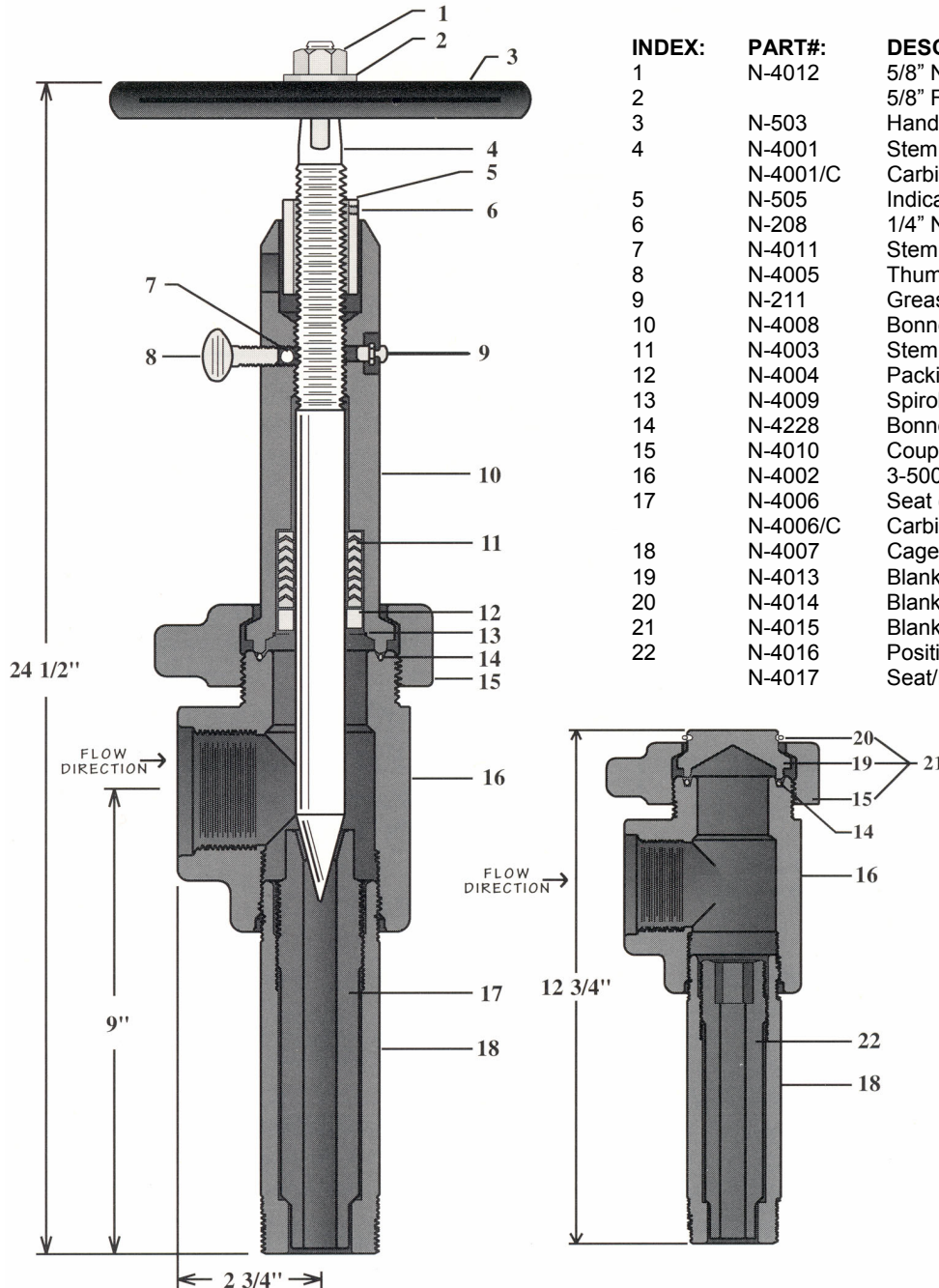


N-60 Choke

Two Inch 3-5000 # CWP



INDEX:	PART#:	DESCRIPTION:
1	N-4012	5/8" N.C. Hex Nut
2		5/8" Flat Washer
3	N-503	Handle (Square Hole)
4	N-4001	Stem (Specify Orifice Size)
	N-4001/C	Carbide Stem (Specify Orifice Size)
5	N-505	Indicator (Specify Orifice Size)
6	N-208	1/4" N.C. Set Screw
7	N-4011	Stem Lock Shoe
8	N-4005	Thumb Screw
9	N-211	Grease Zert 1/8" NPT
10	N-4008	Bonnet
11	N-4003	Stem Packing
12	N-4004	Packing Retainer Ring
13	N-4009	Spirolox Ring (Snap Ring)
14	N-4228	Bonnet O-Ring
15	N-4010	Coupling Nut
16	N-4002	3-5000# Flow Tee Body
17	N-4006	Seat (Specify Orifice Size)
	N-4006/C	Carbide Seat (Specify Orifice Size)
18	N-4007	Cage Nipple
19	N-4013	Blanking Plug
20	N-4014	Blanking Plug Retainer Ring
21	N-4015	Blanking Cap Assembly
22	N-4016	Positive Bean f/ Positive Choke
	N-4017	Seat/Bean Wrench



FEATURES:

- Compatible with Other Brand Chokes
- Available in 1/2", 3/4", or 1" Trim
- Grease Fitting on Bonnet for Maintenance Purposes
- Stainless Steel or Stainless Steel Tungsten Carbide Trim Available
- Sour Service Choke is Available