

Compact Well Service Pump



Specifications

Maximum Input	600 BHP (447 kW)
Maximum RPM	450
No. of Plungers	3
Stroke Length	6" (152 mm)
Plunger Load	100,000 lbs. (45,360 kg)
Pump Weight	4,600 lbs. (2,087 kg) average
Gear Ratio	4.6:1

(101.5" back-to-back with one-inch gap)

GD Compact Intermittent Duty Well Service Ratings

Plunger Diameter		Displacement per Revolution		Displacement at Pump RPM - Well Service Application															
				100				200				300				450			
in.	mm.	Gal/Rev.	Liter/Rev.	GPM	LPM	PSI	kg/sq. cm	GPM	LPM	PSI	kg/sq. cm	GPM	LPM	PSI	kg/sq. cm	GPM	LPM	PSI	kg/sq. cm
2.75	70	0.46	1.8	46	175	15000	1184	93	350	9999	703	139	526	6666	469	208	788	4444	312
3	76	0.55	2.1	55	208	14147	995	110	417	8402	591	165	625	5601	394	248	938	3734	263
3.5	89	0.75	2.8	75	284	10394	731	150	568	6173	434	225	851	4115	289	337	1277	2743	193
4	102	0.98	3.7	98	371	7958	559	196	741	4726	332	284	1112	3151	222	441	1668	2100	148
4.5	114	1.24	4.7	124	469	6288	442	248	938	3734	263	372	1407	2489	175	558	2111	1660	117
Input Power:		BHP		500				600				600				600			
		kw		373				447				447				447			

Ratings are based on 90% mechanical efficiency and 100% volumetric efficiency.

Compact Well Service Pump



Standard Features

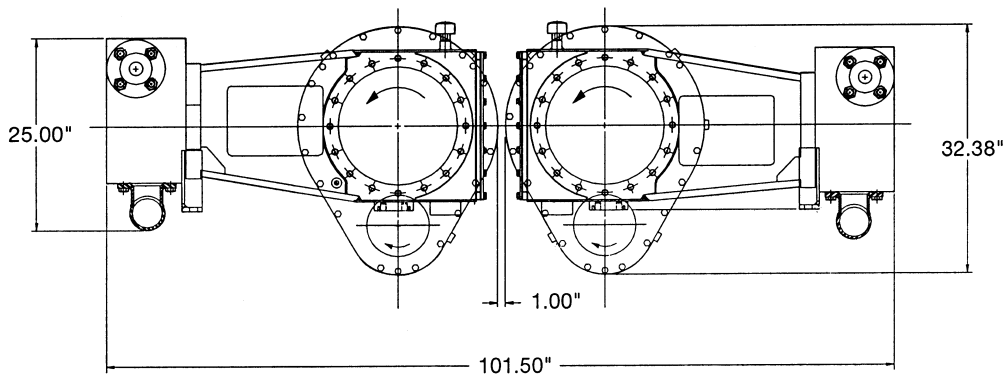
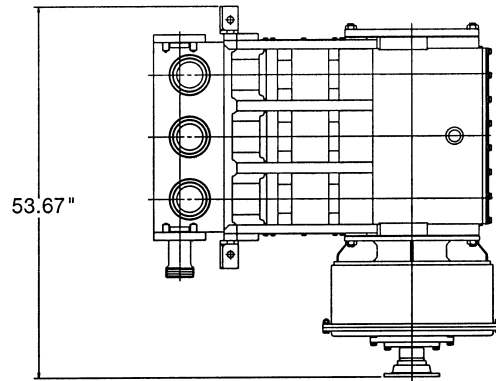
- Left or right gear box mounting
- Crankshaft type construction
- Multiple pinion locations
- Left or right side suction and discharge connections
- Hard Coated plungers
- Valve over valve fluid end
- Plunger sizes from 2.75" to 4.5"
- Suction manifold with Victaulic connections
- Header-ring style packing
- Center gauge connection
- One 2" 1502 discharge flange
- One blank flange
- Fluid end tool kit

Material Specifications

• Fluid End	Forged SAE alloy steel
• Stuffing Box	Steel
• Crankshaft	Forged steel
• Connecting Rods	Ductile iron
• Crossheads	High-strength cast iron
• Crosshead Guides	Ductile iron
• Crankpin Bearing	Automotive type
• Crosshead Bearing	Bronze

Optional Equipment

- Tach drive adapter
- Dual discharge flanges
- Style 602 and 1002 discharge flange
- Additional center gauge connections
- Adjustable packing
- Spring loaded packing
- Tach drive adapter
- Suction manifold cylinder drains
- Valve seat puller assembly
- Hydraulic torque wrench



Gardner Denver

Drilling & Production Pumps
Gardner Denver Pump Division
1800 Gardner Expressway
Quincy, IL 62301
Phone: 217-222-5400
Fax: 217-224-7814

Drilling & Production After-Market
Gardner Denver Pump Division
2200 South Prospect
Oklahoma City, OK 73129
Phone: 405-677-5736
Fax: 405-677-5807

Well Service Pumps
Gardner Denver Pump Division
4747 South 83rd East Avenue
Tulsa, OK 74145
Phone: 918-828-7800
Fax: 918-447-6487

GEOQUIP SERVICE CENTER

After-Market & Repair Facility
Gardner Denver Pump Division
7533 Kathy Lane
Fort Worth, TX 76126
Phone: 817-249-6400
Fax: 817-249-6383

CHAPARRAL SERVICE CENTER

After-Market & Repair Facility
Gardner Denver Pump Division
2121 West 44th Street
Odessa, TX 79764
Phone: 432-366-5433
Fax: 432-363-9940

< www.gardnerdenver.com >