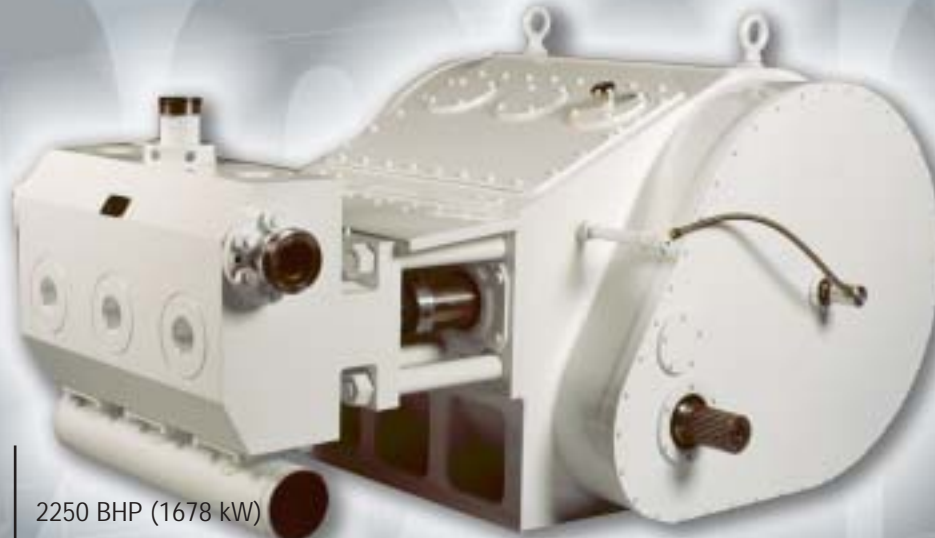


# HD2250 Heavy Duty Well Stimulation Pump



## Specifications

Maximum Input	2250 BHP (1678 kW)
Maximum RPM	330
No. of Plungers	3
Stroke Length	8" (203 mm)
Plunger Load	237,500 lbs. (107,719 kg)
Pump Weight	12,650 lbs. (5,738 kg) average
Gear Ratio	6.353:1

## HD-2250 Intermittent Duty Well Service Ratings

Plunger Diameter		Displacement per Revolution		Displacement at Pump RPM - Well Stimulation Application															
				100				150				200				330			
in.	mm.	Gal/Rev.	Liter/Rev.	GPM	LPM	PSI	kg/sq. cm	GPM	LPM	PSI	kg/sq. cm	GPM	LPM	PSI	kg/sq. cm	GPM	LPM	PSI	kg/sq. cm
<b>Steel and Stainless Steel Inline Fluid Ends</b>																			
3	76	0.734	2.779	73	278	25000	1758	110	417	25000	1758	147	556	23643	1662	242	917	14329	1007
3.5	89	0.999	3.782	100	378	24698	1736	150	567	23160	1628	200	756	17370	1221	330	1248	10527	740
4	102	1.305	4.940	130	494	18909	1329	196	741	17732	1247	261	988	13299	935	431	1630	8060	567
4.5	114	1.652	6.252	165	625	14941	1050	248	938	14010	985	330	1250	10508	739	545	2063	6368	448
5	127	2.039	7.718	204	772	12102	851	306	1158	11348	798	408	1544	8511	598	673	2547	5158	363
<b>Forged Steel CWS, ACWS or 40" Valve Over Valve Fluid Ends</b>																			
3.75	95	1.147	4.341	115	434	21515	1513	172	651	20175	1418	229	868	15131	1064	378	1433	9170	645
4	102	1.305	4.940	130	494	18909	1329	196	741	17732	1247	261	988	13299	935	431	1630	8060	567
4.5	114	1.652	6.252	165	625	14941	1050	248	938	14010	985	330	1250	10508	739	545	2063	6368	448
5	127	2.039	7.718	204	772	12102	851	306	1158	11348	798	408	1544	8511	598	673	2547	5158	363
5.5	140	2.467	9.339	247	934	10002	703	370	1401	9379	659	493	1868	7034	495	814	3082	4263	300
5.75	146	2.697	10.207	270	1021	9151	643	404	1531	8581	603	539	2041	6436	452	890	3368	3900	274
6	152	2.936	11.114	294	1111	8404	591	440	1667	7881	554	587	2223	5911	416	969	3668	3582	252
6.5	165	3.446	13.044	345	1304	7161	503	517	1957	6715	472	689	2609	5036	354	1137	4304	3052	215
6.75	171	3.716	14.066	372	1407	6640	467	557	2110	6227	438	743	2813	4670	328	1226	4642	2830	199
7	178	3.996	15.128	400	1513	6174	434	599	2269	5790	407	799	3026	4343	305	1319	4992	2632	185
7.5	191	4.588	17.366	459	1737	5379	378	688	2605	5044	355	918	3473	3783	266	1514	5731	2293	161
Input Power:		BHP		1600				2250				2250				2250			
		kW		1193				1678				1678				1678			

Notes: Gear ratio 6.353:1. Maximum Rod Load 237,500 lbs. Ratings are based on 90% mechanical efficiency and 100% volumetric efficiency. Shaded applications to be approved by Gardner Denver Engineering.

# HD-2250 Heavy Duty Well Stimulation Pump



## Standard Features

- Crankshaft type construction
- Left or right side suction and discharge connections
- Hard coated plungers
- Clamp connections between plungers and pony rods
- Plunger sizes from 3.75" to 7.5"
- Six inch suction manifold with victaulic grooves
- Header-ring style packing
- Valve-over-valve fluid end
- One discharge flange
- One bleed flange
- One center gauge connection
- Autofrettaged 3.75" to 5.5" fluid ends
- Standard fluid end tool kit

## Material Specifications

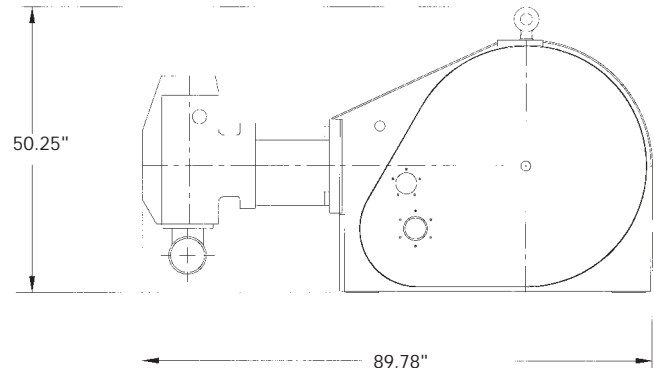
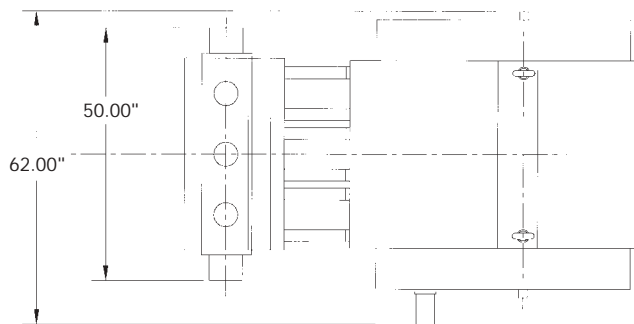
• Fluid End	Forged SAE 4330 and H78C alloy steel
• Crankshaft	Forged steel
• Connecting Rods	Steel with hardened bearing surfaces
• Crossheads	High-strength ductile iron
• Crosshead Guides	Bronze
• Tie Rods	Alloy steel
• Main Bearings	Roller
• Crankpin Bearing	Bronze
• Crosshead Bearing	Bronze
• Power End Housing	Fabricated steel

## Optional Equipment

- Dual discharge flanges
- Additional center gauge connections
- Adjustable or non-adjustable packing
- Keyed or splined pinion shaft
- Input flange
- Autofrettaged 5.75" to 6.75" fluid ends
- Suction manifold cyclinder drive
- Special header style suction manifold

## Fluid End Options

1. Valve-over-valve CWS and ACWS
2. Steel in-line
3. Stainless steel in-line
4. Special alloy 40" valve-over-valve



# Gardner Denver

Drilling & Production Pumps  
Gardner Denver Pump Division  
1800 Gardner Expressway  
Quincy, IL 62301  
Phone: 217-224-8800  
Fax: 217-224-7814

Drilling & Production After-Market  
Gardner Denver Pump Division  
2200 South Prospect  
Oklahoma City, OK 73129  
Phone: 405-677-5736  
Fax: 405-677-5807

Well Service Pumps  
Gardner Denver Pump Division  
4747 South 83rd East Avenue  
Tulsa, OK 74145  
Phone: 918-828-7800  
Fax: 918-447-6487

After-Market & Repair Facility  
Gardner Denver Pump Division  
7533 Kathy Lane  
Fort Worth, TX 76126  
Phone: 817-249-6400  
Fax: 817-249-6383

< [www.gardnerdenver.com](http://www.gardnerdenver.com) >